

## WI D Pen

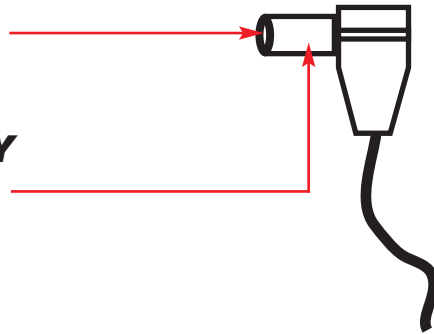
### POWER SUPPLY CONNECTOR

**GND**

Ø 1,3

**POWER SUPPLY**

5 Vdc 650mA  
Ø 3,5 length 9,5



## WI DMX

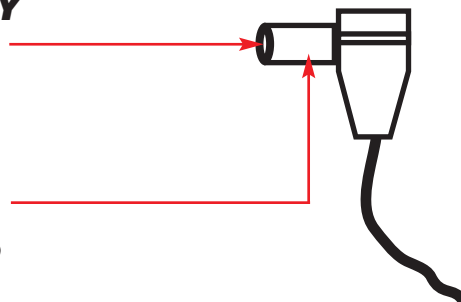
### WIRELESS DMX 512 TRANSCEIVER POWER SUPPLY CONNECTOR

**POWER SUPPLY**

9 Vdc 800mA  
Ø 2,5

**GND**

Ø 5,5 length 11,5



## WI DMX easy

### WIRELESS DMX 512 TRANSMITTER POWER SUPPLY CONNECTOR

**POWER SUPPLY**

9 Vdc 650mA  
Ø 2,1

**GND**

Ø 5,5 length 10,5

